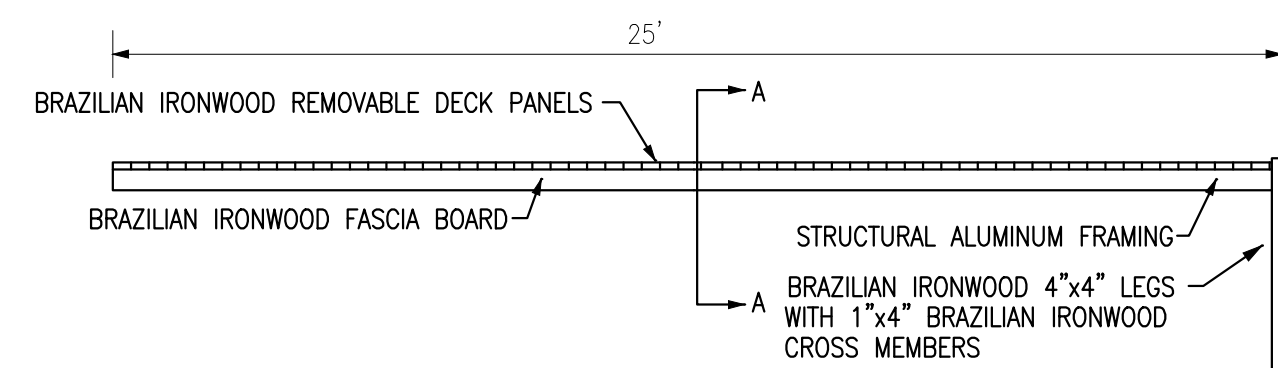
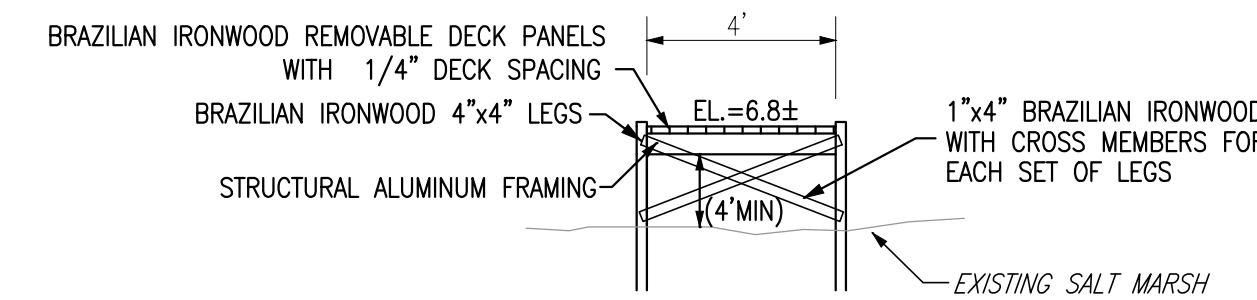
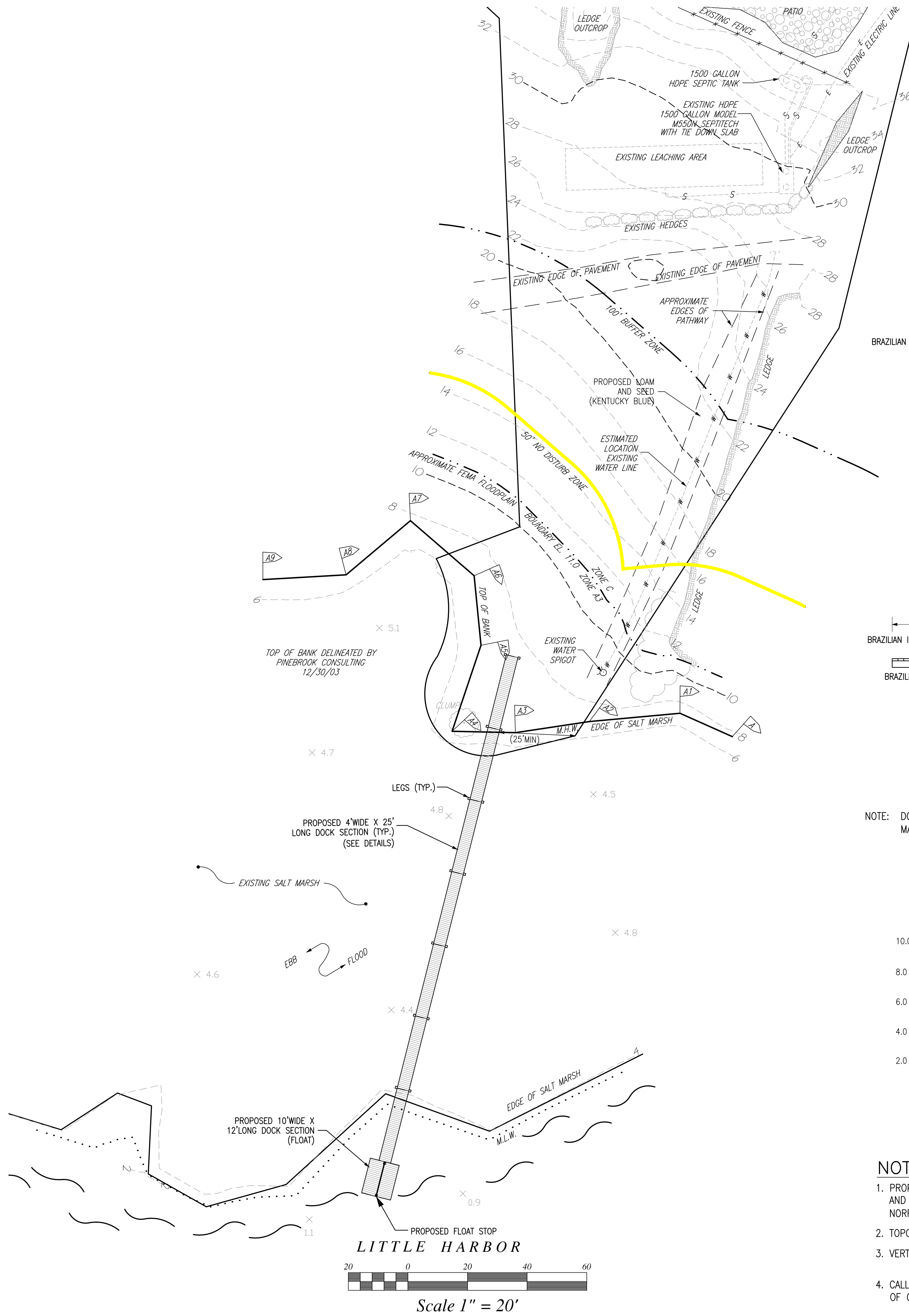
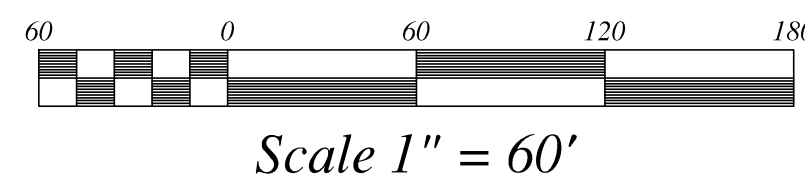
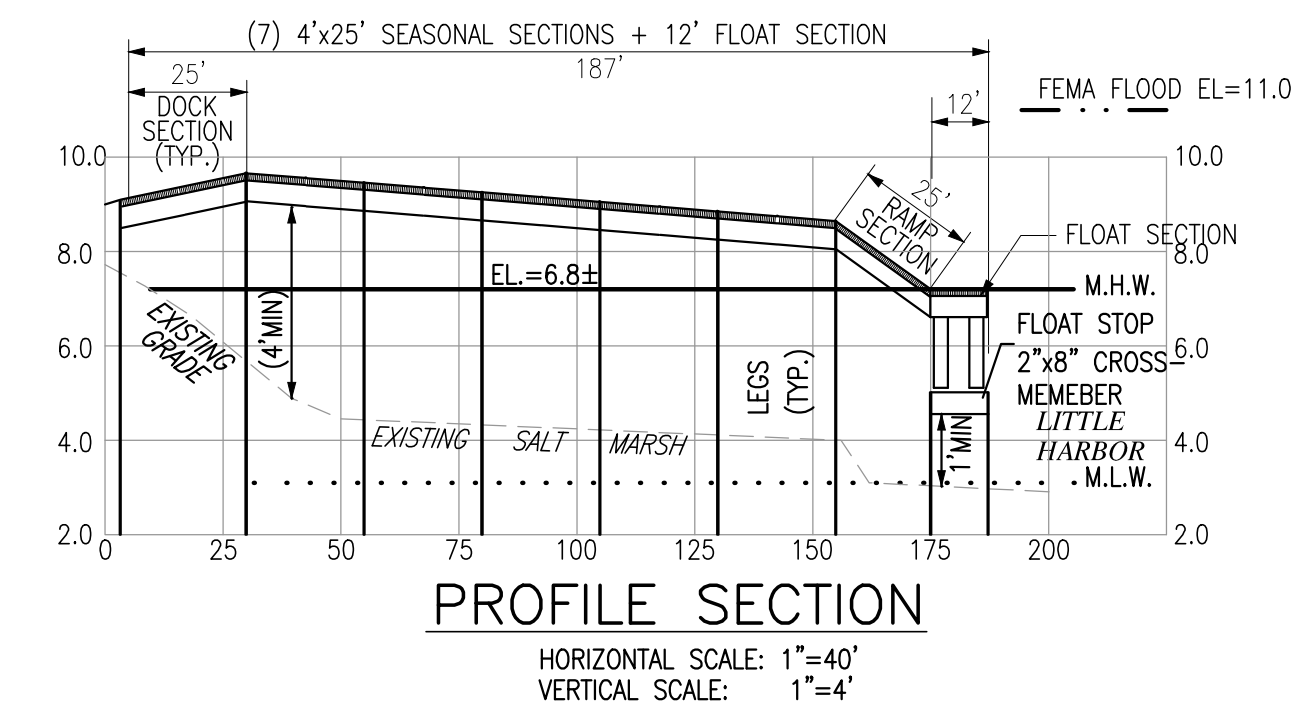


LITTLE HARBOR
LEGEND

	100	2' CONTOUR		PROPOSED
	+99.8	SPOT ELEVATION		100
		PROPERTY LINE		+100.50
		EDGE OF PAVEMENT		
		WATER LINE		
		TEST HOLE		



NOTE: DOCK DESIGNED BY DOCK MASTERS OF NEW ENGLAND 54 PATTEN DRIVE, MARLBORO, MASSACHUSETTS 01752, TELEPHONE 1-800-215-7761



- NOTES**
- PROPERTYLINE DATA FROM "SUBDIVISION PLAN OF LAND IN COHASSET" BY LEWIS W. PERKINS AND SON, ENGINEERS, DATED AUGUST 18 1959, CERTIFICATE NO. 64033, RECORDED WITH NORFOLK DEEDS IN BOOK 321 PAGE 33.
 - TOPOGRAPHIC SURVEY BY GRADY CONSULTING FEBRUARY 2, 2004.
 - VERTICAL DATUM IS NATIONAL GEODETIC VERTICAL DATUM (NGVD)
 - CALL DIG SAFE 1-888-344-7233 AT LEAST 4 DAYS PRIOR TO COMMENCEMENT OF CONSTRUCTION.

SITE PLAN
#21 GAMMONS ROAD
COHASSET, MASSACHUSETTS

Applicant \ Owner
THOMAS J. DURKIN
21 GAMMONS ROAD
COHASSET, MA 02025

FEBRUARY 25, 2004
SCALE: AS SHOWN
JOB NO. 03-245
LATEST REVISION:
CON COM COMMENT 5/28/04
PIER BLOCK 6/14/04
ARMY CORP & DEP 12/16/04
REMOVE MUSHROOM ANCHORS 1/25/05